

# EXPLORER 6075LX

0.75m Stabilized Auto-Acquire Fly-Away Antenna System for Inmarsat Global Xpress

## Quick guide

### Introduction

This quick guide describes unpacking and assembly of the antenna. The next page shows information on how to connect to the Internet and how to download the full User & Installation manual.

### Assembly

The EXPLORER 6075LX antenna ships from the factory calibrated and ready for use.

1. Unpack the Base Unit with the antenna positioner.

**⚠ WARNING:** Be aware of pinch points when handling and installing the antenna!

2. Place the Base Unit upon level ground and deploy the two support legs.

3. Position the antenna:  
Northern hemisphere - The display faces north  
Southern hemisphere - The display faces south

**⚠ WARNING:** Anchor the support legs to the ground. Especially in high wind conditions, add extra weight to the support legs, or insert stakes through holes in the support feet.

4. Turn the black knobs to move the feet up and down to level the base and achieve stability.

5. Retract the two thumb screws on the mounting blocks which are located on the elevation arms.

6. Take the RF assembly out of the case, handle it carefully.

7. Insert the RF assembly into the mounting blocks. Push forward to make sure it is completely engaged, while tightening the two thumb screws.

8. Release the four locking mechanisms on the reflector hub on the RF assembly.

9. Unpack the four reflector panels.

10. Insert the two bottom panels and latch them along the edge of each panel and secure the locking mechanisms at the center hub.

11. Insert and latch the two upper panels and secure the locking mechanisms at the center hub.

12. Take out the feed horn and mount it carefully on the RF assembly by screwing it into the reflector hub. **IMPORTANT:** Hold the feed horn as shown while mounting it. Do not touch the subreflector, it can be easily damaged.

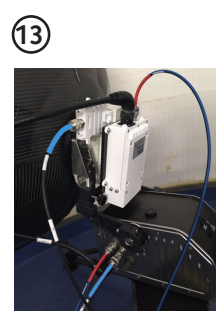
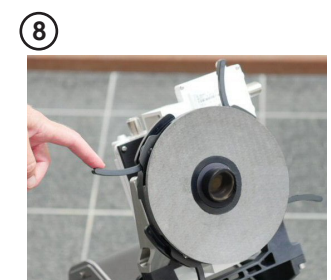
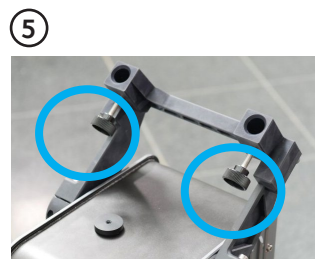
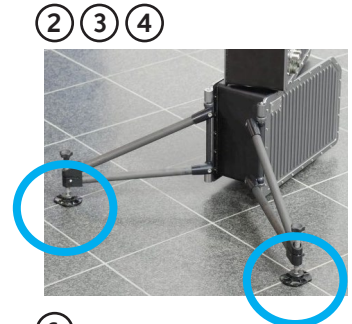
13. Connect the cables:

**BUC power** cable to circular MIL connector.

**Transmit (Red, Tx)** coax cable (N) to BUC Transmit port

**Receive (Blue, Rx)** coax cable (TNC) to LNB Receive port

**Power cable** to the front of the Base Unit. See next section for details.



# Power connection

We recommend using the EXPLORER 6000 Series Power Supply available from Cobham SATCOM (sales item number 403160P). This power supply connects directly to the terminal and is fitted with a Schuko EU plug for connection to standard AC outlet. A Schuko to US adapter is included.

If you want to use a different power supply, an open-ended power cable is included with the system. Connect the **Red wire to positive (V+)** and the **Black wire to negative (V-)** in your power supply. See the User & Installation manual for details.

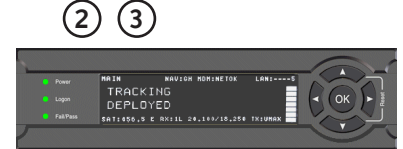


# Power on

**⚠ WARNING:** Radiation! Do not place your head or other body parts in front of the reflector when the system is operational.

1. Press the **On/Off** button. The system typically auto-acquires the network within five minutes.
2. When the connection is established, the display shows **TRACKING**.
3. Wait until the field **MDM:** in the upper status line shows **NETOK**.

**NOTE:** Do not cover the GNSS (GPS, Glonass, etc.) window nor the WLAN window located in the positioner and the front of the Base Unit respectively.



# Internet

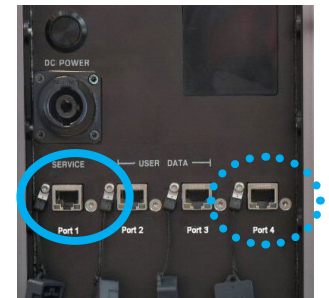
1. Use shielded LAN cables to connect a PC to **Port 2** or **Port 3** for Internet, see documentation from the service provider.
2. Start a browser on the connected PC.

# User & Installation manual

You can download the User & Installation manual at <https://sync.cobham.com> or directly from the terminal.

To download the manual from the terminal, do as follows:

1. Connect a PC to Port 1, Service. Use a shielded LAN cable.  
**NOTE:** If you are using a PC on a corporate network, connect to Port 4 instead. Port 1 is configured as DHCP server.
2. Open your browser and access the web interface at <http://192.168.0.1> (default for Port 1).
3. Log in as guest or as administrator. For first time login see the next section. After login, the **DASHBOARD** is displayed.
4. Click **HELPDESK** and then **Support**.
5. Click the link **Download manual**.



# Administrator login - first time

To log in as an administrator do as follows:

1. Connect a PC to Port 1, Service (use a shielded LAN cable).
2. On the keypad, push and hold the left arrow key for 5 seconds.
3. Wait for the short display of **Local administration** followed by the event **0807F-0 WARNING Local administration enabled**. This gives you temporary administrator access for 1 hour or until next restart.
4. Open your browser and access the web interface at <http://192.168.0.1> (default).
5. Enter the user name **admin** (no password is required) and click **Login**. The **DASHBOARD** is displayed.
6. Enter an admin password at **ADMINISTRATION > User login**, section **Change Login**.



Any responsibility or liability for loss or damage in connection with the use of this product and the accompanying documentation is disclaimed by Thrane & Thrane A/S. The information in this manual is provided for information purposes only, is subject to change without notice and may contain errors or inaccuracies. Manuals issued by Thrane & Thrane A/S are periodically revised and updated. Anyone relying on this information should acquire the most current version e.g. from [www.cobham.com/satcom](http://www.cobham.com/satcom), Cobham SYNC Partner Portal, or from the distributor. Thrane & Thrane A/S is not responsible for the content or accuracy of any translations or reproductions, in whole or in part, of this manual from any other source. In the event of any discrepancies, the English version shall be the governing text. Thrane & Thrane A/S is trading as Cobham SATCOM.